

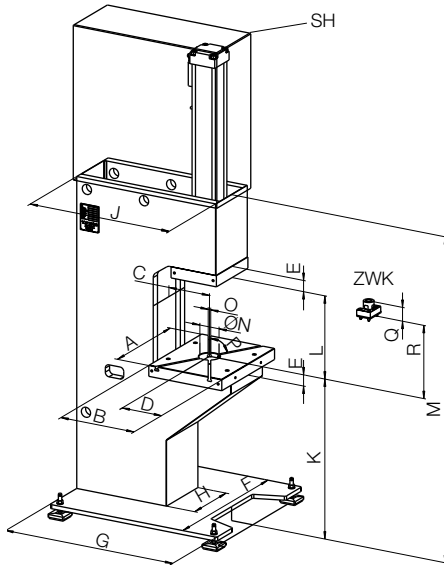
TOX[®]-Presses 2 – 2000 kN

Data sheet 60.00
2024/02



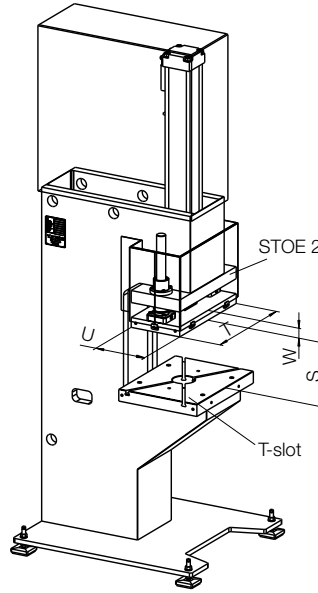
TOX[®]-C-Frame Press

Series PC

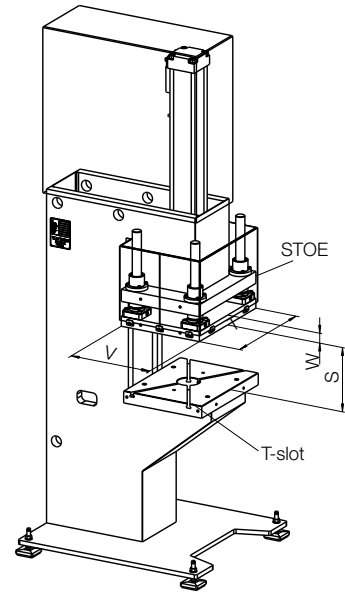


Drive example: Powerpackage type Q-S
 SH = protective hood
 ZWK = tool holding fixture

With STO E 2
(2-column ram guide)



With STO E 4
(4-column ram guide)



Accessories (optional)

- Tool holding fixture ZWK
- 2-/4-column ram guide STO E
- Protective hood SH

TOX[®]-Presses PC

Type	Max. loading capacity		TOX [®] -Powerpackage	Optional T-slot					With ram guide STO E					Weight** kg
	kN	(t)		ØN	O _{H12}	P	Q*	R*	S	T	U	V	W	
PC 008	80	(8)	Q-S/Q-K/X-S/X-K 008	60	10	60	70	366	300	446	196	346	46	534
PC 015	150	(15)	Q-S/Q-K/X-S/X-K 015	60	12	60	70	366	300	496	246	396	46	878
PC 030	300	(30)	Q-S/Q-K/X-S/X-K 030	60	12	60	110	406	350	596	296	446	56	1437
PC 050	500	(50)	Q-S/Q-K/X-S/X-K 050	60	12	60	120	436	350	696	296	446	66	1901
PC 075	750	(75)	Q-S/Q-K/X-S/X-K 075	60	18	45	150	516	400	846	–	446	96	3881
PC 100	1000	(100)	Q-S/Q-K/X-S/X-K 100	60	18	45	150	576	400	946	–	446	116	4879
PC 200	2000	(200)	Q-S/Q-K/X-S/X-K 170	60	18	45	200	596	400	1096	–	546	136	7091

* with tool holding fixture

** valid for standard press layout. Real weight will differ.

Dimensions in mm

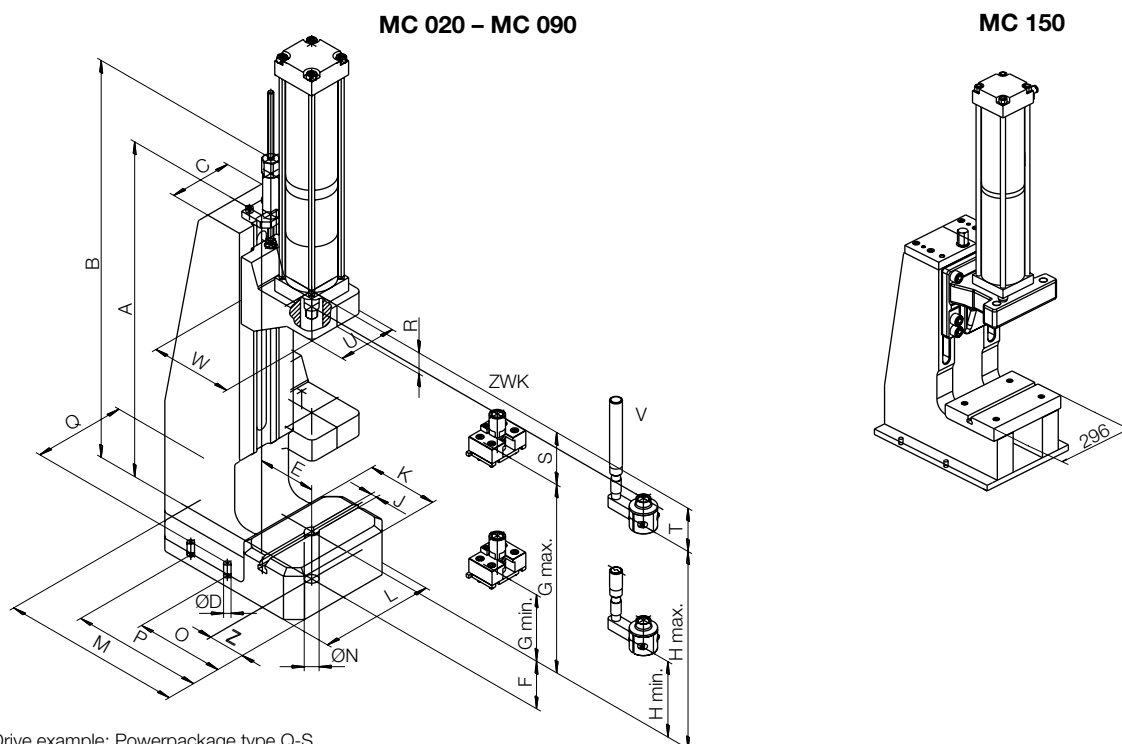
Type	A	B	C	D	E	F	G	H	J	K	L	M
PC 008	446	346	205	173	46	700	750	215	600	800	425	1585
PC 015	496	396	220	210	56	800	900	295	755	800	416	1630
PC 030	596	446	255	230	76	880	1040	377	900	800	487	1785
PC 050	696	446	255	231	96	980	1040	455	900	800	512	1865
PC 075	896	446	255	226	116	1100	1240	544	1248	800	610	2126
PC 100	996	496	255	248	136	1100	1240	584	1248	800	650	2186
PC 200	1096	596	300	306	156	1200	1450	680	1410	800	710	2336

Dimensions in mm

Special designs and dimensions available on request.

TOX®-C-Frame Benchtop Press

Series MC



Drive example: Powerpackage type Q-S
 V = anti-rotation lock
 ZWK = tool holding fixture

Accessories (optional)

- Tool holding fixture ZWK
- Anti-rotation lock V

TOX®-Presses MC

Type	Max. loading capacity kN	TOX®-Powerpackage	Gmin.	G max.	H min.	H max.	T-slot J _{H11}	Weight* kg
MC 020	20	Q-S/Q-K/X-S/X-K 002	109	309	124	324	10	37
MC 048	48	Q-S/Q-K/X-S/X-K 004	131.5	291.5	131.5	291.5	14	79
MC 090	90	Q-S/Q-K/X-S/X-K 008	209	305	199	295	14	188
MC 150	150	Q-S/Q-K/X-S/X-K 015	196	296	181	281	14	291

* valid for standard press layout. Real weight will differ.

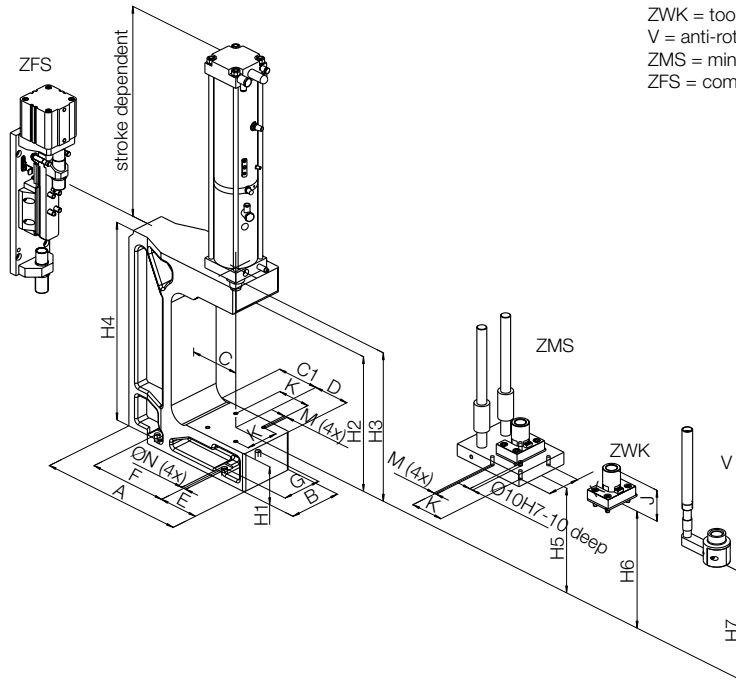
Dimensions in mm

Type	A	B	C	ØD	E	F	K	L	M	ØN	O	P	Q	R	S	T	U	W	Z
MC 020	550	685	102	2xØ10x21	86	78	115	187	295	20	145	-	150	34,5	86	71	95	134	60
MC 048	545	590	160	2xØ14x90	130	105	190	250	385	-	235	-	200	43,5	88,5	88,5	120	190	95
MC 090	660	705	210	2xØ14x145	150	160	220	310	500	-	290	-	260	57,0	105	115	205	220	105
MC 150	703	751	270	4xØ13x20	150	211	216	360	500	-	200	400	325	72,0	126	141	280	253	110

Dimensions in mm

TOX[®]-C-Frame Benchtop Press

Series MCC



Drive example: Powerpackage type Q-S
 ZWK = tool holding fixturee
 V = anti-rotation lock
 ZMS = miniatur ram
 ZFS = compensating slide

Accessories (optional)

- Tool holding fixture ZWK
- Anti-rotation lock V
- Miniatur ram ZMS
- Compensating slide ZFS
 - For compensation or feeding
 - Pneumatic cylinder with final position sensor
 - Final positions adjustable by gas pressure springs

TOX[®]-Presses MCC

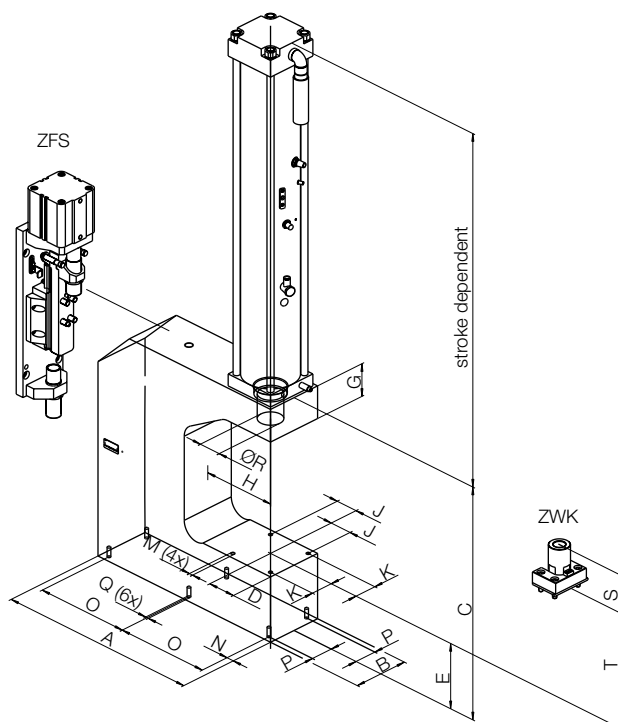
Type	Max. loading capacity kN	TOX [®] -Powerpackage	Weight kg
MCC 002	20	Q-S/Q-K/X-S/X-K 002	28
MCC 004	40	Q-S/Q-K/X-S/X-K 004	61
MCC 008	80	Q-S/Q-K/X-S/X-K 008	108
MCC 015	150	Q-S/Q-K/X-S/X-K 015	176

Type	A	B	C	C1	D ca.	E	F	G	H1	H2	H3	H4	H5	H6	H7	J	K	M	ØN
MCC 002	255	100	100	80	55	45	155	70	65	270.0	295	386.0	195	225	220	70	60	M8	9
MCC 004	380	130	150	125	80	60	240	90	90	293.5	330	448.5	220	250	238	80	100	M8	14
MCC 008	441	160	150	125	110	90	240	120	110	390.0	430	575.0	305	340	313	90	100	M10	14
MCC 015	480	200	150	125	130	100	260	160	150	411.0	480	666.0	320	360	341	120	150	M10	14

Dimensions in mm

TOX®-C-Frame Benchttop Press

Series CEB



Drive example: Powerpackage type Q-S
 ZWK = tool holding fixture
 ZFS = compensating slide

C-frame type CEB

- Basic design
- Flexible flame-cut steel parts
- Ideal for robot tool guidance or short working strokes

Accessories (optional)

- Tool holding fixture ZWK
- Compensating slide ZFS

TOX®-Presses CEB

Type	Max. loading capacity kN	TOX®-Powerpackage	Weight* kg
CEB 002.800	20	Q-S/Q-K/X-S/X-K 002	62
CEB 004.800	40	Q-S/Q-K/X-S/X-K 004	84
CEB 008.800	80	Q-S/Q-K/X-S/X-K 008	144
CEB 015.800	150	Q-S/Q-K/X-S/X-K 015	276
CEB 030.800	300	Q-S/Q-K/X-S/X-K 030	411
CEB 050.800	500	Q-S/Q-K/X-S/X-K 050	562

* valid for standard press layout. Real weight will differ.

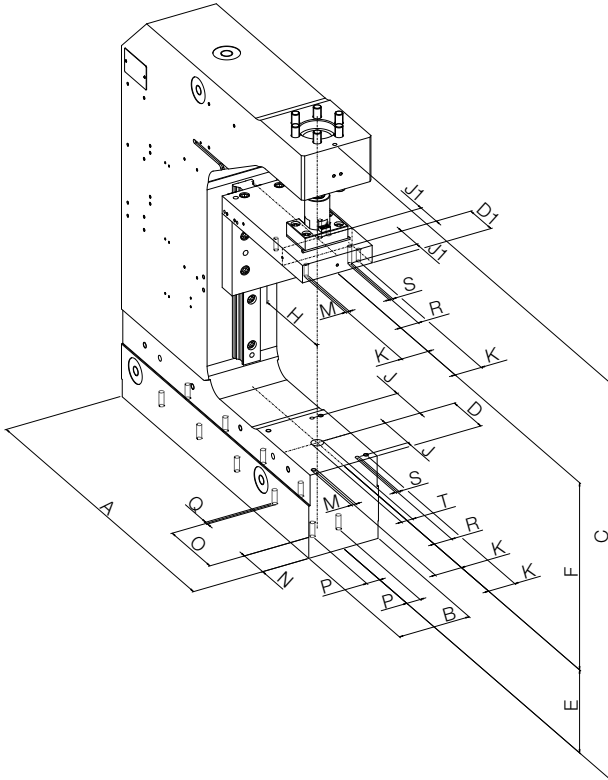
Type	A	B	C	D	E	G	H	J	K	M	N	O	P	Q	ØR	S	T
CEB 002.800	340	80	486.0	40	80	51	150	30	30	4xM6x12	20	160.0	25	6xM8x16	35	80	300
CEB 004.800	370	90	528.5	50	110	63	150	40	35	4xM8x16	20	165.0	30	6xM8x16	45	90	300
CEB 008.800	420	120	555.0	60	120	81	150	45	45	4xM10x20	20	190.0	40	6xM10x20	65	100	300
CEB 015.800	550	150	626.0	75	170	92	200	60	60	4xM10x20	20	255.0	60	6xM10x20	70	120	300
CEB 030.800	600	180	692.0	90	205	106	200	75	75	4xM12x24	20	280.0	75	6xM10x20	80	140	300
CEB 050.800	635	210	747.0	105	205	126	200	75	75	4xM12x24	20	297.5	80	6xM10x20	100	150	340

Dimensions in mm

Special designs and dimensions available on request.

TOX[®]-C-Frame Benchtop Press

Series CMB



C-frame type CMB

- Flexible flame-cut steel parts
- With integrated ram (slider guided)
- Tool can be mounted without additional components

Accessories

Extensive range of accessories available.

Note

Frames provided with different hole patterns - equipped for all types of drives.

TOX[®]-Presses CMB

C-Frame Type	Max. loading capacity kN	Weight* kg	Drives	Type	Stroke
CMB 010-050.	10 – 52	282	TOX [®] -ElectricPowerDrive TOX [®] -Powerpackage TOX [®] -Hydraulic Cylinder	EQe-K/ EXe-F 005/010/030, EXe-K 010/ 030/060 Q-S/Q-K/X-S/X-K 001/002/004, X-AT 002/004 HZL/HZO 02/05	200
CMB 050-160.	48 – 158	568	TOX [®] -ElectricPowerDrive TOX [®] -Powerpackage TOX [®] -Hydraulic Cylinder	EQe-K/EXe-F 030/060/100, EXe-K 060/100/200 Q-S/Q-K/X-S/X-K/X-AT 004/008/015 HZL/HZO 05/07/11	200
CMB 100-320.	100 – 320	825	TOX [®] -ElectricPowerDrive TOX [®] -Powerpackage TOX [®] -Hydraulic Cylinder	EQe-K/EXe-F 060/100, EXe-K 100/200, EXe-L 300 Q-S/Q-K/X-S/X-K/X-AT 015/030 HZL/HZO 11/19/29	200

* valid for standard press layout. Real weight will differ.

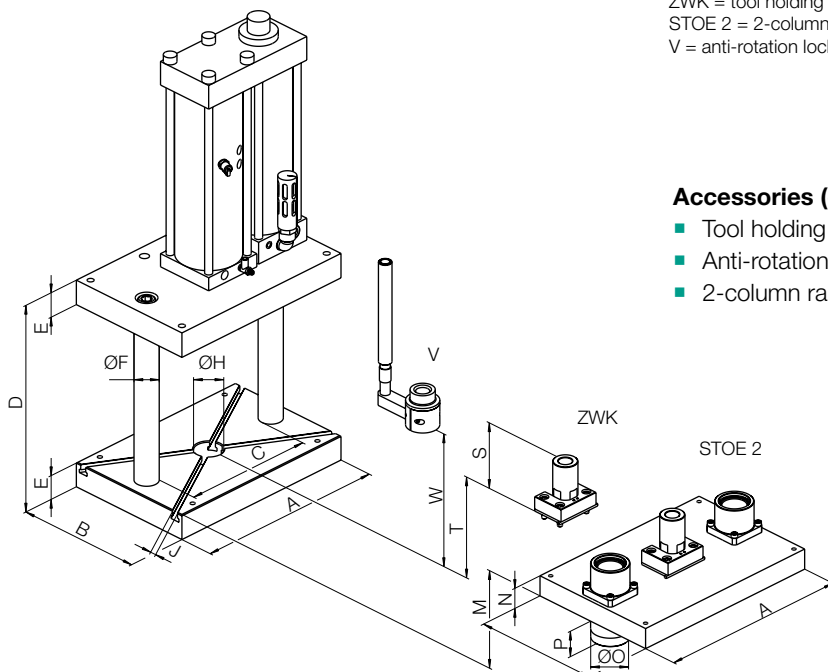
Type	A	B	C	D	D1	E	F	H	J	J1	K	M	N	O	P	Q	R	S	T
CMB 010-050.	645	110	823.5	80	55	135	430	200	65	40	40	4xM8x16	22.5	150	30	10xM12x24	20	2xØ8 H7x16	Ø20
CMB 050-160.	745	160	910.0	105	80	190	430	200	90	60	60	4xM10x20	72.5	150	30	10xM12x24	40	2xØ8 H7x16	Ø25
CMB 100-320.	795	180	1057.0	115	90	250	430	200	100	75	75	4xM12x24	22.5	150	30	12xM12x24	50	2xØ8 H7x16	Ø40

Dimensions in mm

TOX®-2-Column Press

Series MB/MBG

Drive example: Powerpackage type Q-K
 ZWK = tool holding fixture
 STOE 2 = 2-column ram guide
 V = anti-rotation lock



Accessories (optional)

- Tool holding fixture ZWK
- Anti-rotation lock V
- 2-column ram guide STOE

TOX®-Presses MB and MBG (MB = standard, MBG = large tool area)

Type	Max. loading capacity kN	TOX®-Powerpackage	A	B	C	D	E	ØF	ØH	J _{H12}	Optional T-slot	With ram guide STOE				With tool holding fixture ZWK		With anti-rotation lock V	Weight* press kg	Weight ram guide kg
											M	N	ØO	P	S	T	W			
MB 001	10	Q-S/Q-K/X-S/X-K 001	396	246	280	397.0	36	30	50	8	250	27	52	48	60	277	292	57	23	
MB 002	20	Q-S/Q-K/X-S/X-K 002	396	246	280	399.0	36	30	50	8	250	27	52	48	60	277	292	57	23	
MB 004	40	Q-S/Q-K/X-S/X-K 004	396	296	255	441.5	46	40	50	10	250	27	67	55	60	307	307	88	30	
MB 008	80	Q-S/Q-K/X-S/X-K 008	446	296	300	517.0	56	40	60	10	300	36	67	46	70	356	346	119	43	
MB 015	150	Q-S/Q-K/X-S/X-K 015	446	296	310	538.0	56	50	60	12	300	46	78	54	70	376	366	123	54	
MB 030	300	Q-S/Q-K/X-S/X-K 030	446	346	285	579.0	76	60	60	12	300	46	93	79	110	346	366	194	66	
MB 050	500	Q-S/Q-K/X-S/X-K 050	496	346	275	634.0	86	80	60	12	300	56	130	94	120	376	391	254	100	
MB 075	750	Q-S/Q-K/X-S/X-K 75	646	496	375	812.0	116	100	60	18	350	76	157	99	150	486	500	625	237	
MB 100	1000	Q-S/Q-K/X-S/X-K 100	696	496	370	882.0	136	125	60	18	350	86	185	129	160	526	550	819	295	
MB 200	2000	Q-S/Q-K/X-S/X-K 170	796	546	400	1002.0	156	150	60	18	400	96	220	154	200	576	auf Anfrage	1184	449	
MBG 001	10	Q-S/Q-K/X-S/X-K 001	496	296	380	447.0	36	30	50	8	300	27	52	48	60	327	342	85	34	
MBG 002	20	Q-S/Q-K/X-S/X-K 002	496	296	380	449.0	36	30	50	8	300	27	52	48	60	327	342	85	34	
MBG 004	40	Q-S/Q-K/X-S/X-K 004	496	346	355	500.5	46	40	50	10	300	36	67	46	60	366	366	128	53	
MBG 008	80	Q-S/Q-K/X-S/X-K 008	546	346	400	577.0	56	40	60	10	350	46	67	36	70	416	406	170	74	
MBG 015	150	Q-S/Q-K/X-S/X-K 015	546	396	410	608.0	66	50	60	12	350	46	78	54	90	416	426	231	85	
MBG 030	300	Q-S/Q-K/X-S/X-K 030	546	396	385	659.0	86	60	60	12	350	46	93	79	110	416	436	303	89	
MBG 050	500	Q-S/Q-K/X-S/X-K 050	596	396	375	764.0	116	80	60	12	350	66	130	84	140	456	491	454	146	
MBG 075	750	Q-S/Q-K/X-S/X-K 075	746	496	475	902.0	136	100	60	18	400	76	157	99	160	546	570	835	268	
MBG 100	1000	Q-S/Q-K/X-S/X-K 100	796	546	470	972.0	156	125	60	18	400	86	185	129	180	576	620	1152	357	
MBG 200	2000	Q-S/Q-K/X-S/X-K 170	896	596	500	1092.0	176	150	60	18	450	96	220	154	220	626	auf Anfrage	1608	527	

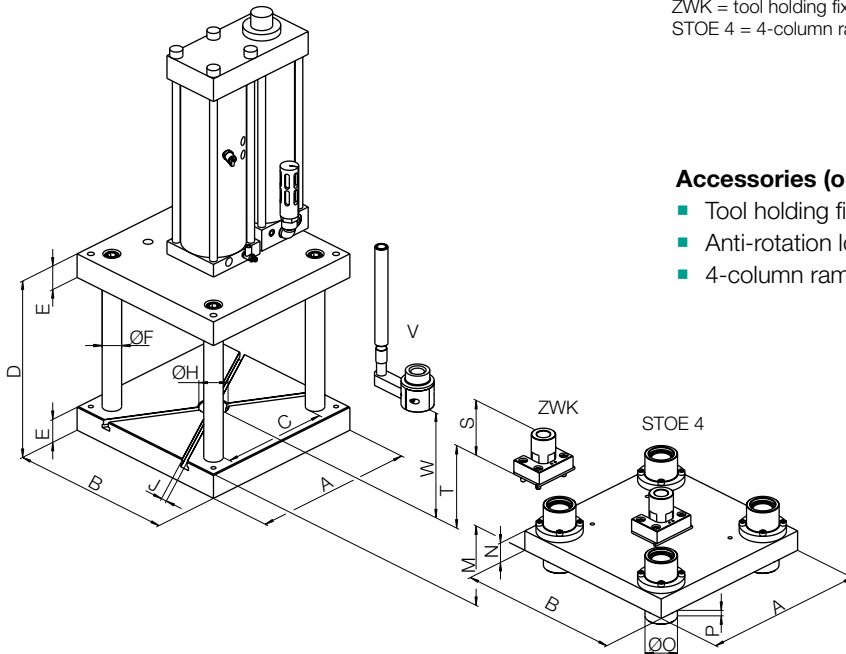
* valid for standard press layout. Real weight will differ.

Dimensions in mm

TOX[®]-4-Column Press

Series MA/MAG

Drive example: Powerpackage type Q-K
 ZWK = tool holding fixture
 STO E 4 = 4-column ram guide



Accessories (optional)

- Tool holding fixture ZWK
- Anti-rotation lock V
- 4-column ram guide STO E

TOX[®]-Presses MA and MAG (MA = standard, MAG = large tool area)

Type	Max. loading capacity kN	TOX [®] -Powerpackage	A	B	C	D	E	ØF	ØH	J _{H12}	Optional T-slot	With ram guide STO E				With tool holding fixture ZWK		With antirotation lock V	Weight* press kg	Weight ram guide kg
											M	N	ØO	P	S	T	W			
MA 001	10	Q-S/Q-K/X-S/X-K 001	246	246	150	383.0	27	25	50	8	250	22	45	33	60	270	287		29	14
MA 002	20	Q-S/Q-K/X-S/X-K 002	246	246	150	385.0	27	25	50	8	250	22	45	33	60	272	287		29	14
MA 004	40	Q-S/Q-K/X-S/X-K 004	296	296	190	410.5	36	30	50	10	250	36	52	39	60	286	286		55	29
MA 008	80	Q-S/Q-K/X-S/X-K 008	346	346	205	507.0	46	40	60	10	300	46	67	36	70	356	346		99	52
MA 015	150	Q-S/Q-K/X-S/X-K 015	396	396	255	528.0	56	40	60	12	300	46	67	36	70	366	356		148	65
MA 030	300	Q-S/Q-K/X-S/X-K 030	446	446	305	579.0	66	50	60	12	300	56	78	44	110	356	376		225	98
MA 050	500	Q-S/Q-K/X-S/X-K 050	496	496	330	614.0	76	60	60	12	300	66	93	59	120	366	381		321	141
MA 075	750	Q-S/Q-K/X-S/X-K 075	646	646	420	772.0	116	80	60	18	350	76	130	74	150	446	460		815	293
MA 100	1000	Q-S/Q-K/X-S/X-K 100	696	696	420	862.0	136	100	60	18	350	86	157	89	160	506	560		1140	400
MA 200	2000	Q-S/Q-K/X-S/X-K 170	796	796	465	982.0	156	125	60	18	400	96	185	119	200	556	auf Anfr.		1739	603
MAG 008	80	Q-S/Q-K/X-S/X-K 008	446	446	305	577.0	56	40	60	12	350	46	67	36	70	416	406		188	80
MAG 015	150	Q-S/Q-K/X-S/X-K 015	446	446	305	628.0	76	40	60	12	350	56	67	26	90	426	436		249	95
MAG 030	300	Q-S/Q-K/X-S/X-K 030	596	596	455	699.0	96	50	60	12	350	76	78	24	110	446	466		554	219
MAG 050	500	Q-S/Q-K/X-S/X-K 050	596	596	430	754.0	116	60	60	12	350	76	93	49	140	446	481		675	224
MAG 075	750	Q-S/Q-K/X-S/X-K 075	746	746	520	872.0	136	80	60	18	400	86	130	64	150	526	540		1259	417
MAG 100	1000	Q-S/Q-K/X-S/X-K 170	796	796	520	912.0	136	100	60	18	400	86	157	89	160	556	580		1471	501
MAG 200	2000	Q-S/Q-K/X-S/X-K 170	896	896	565	1032.0	156	125	60	18	450	96	185	119	200	606	auf Anfr.		2172	731

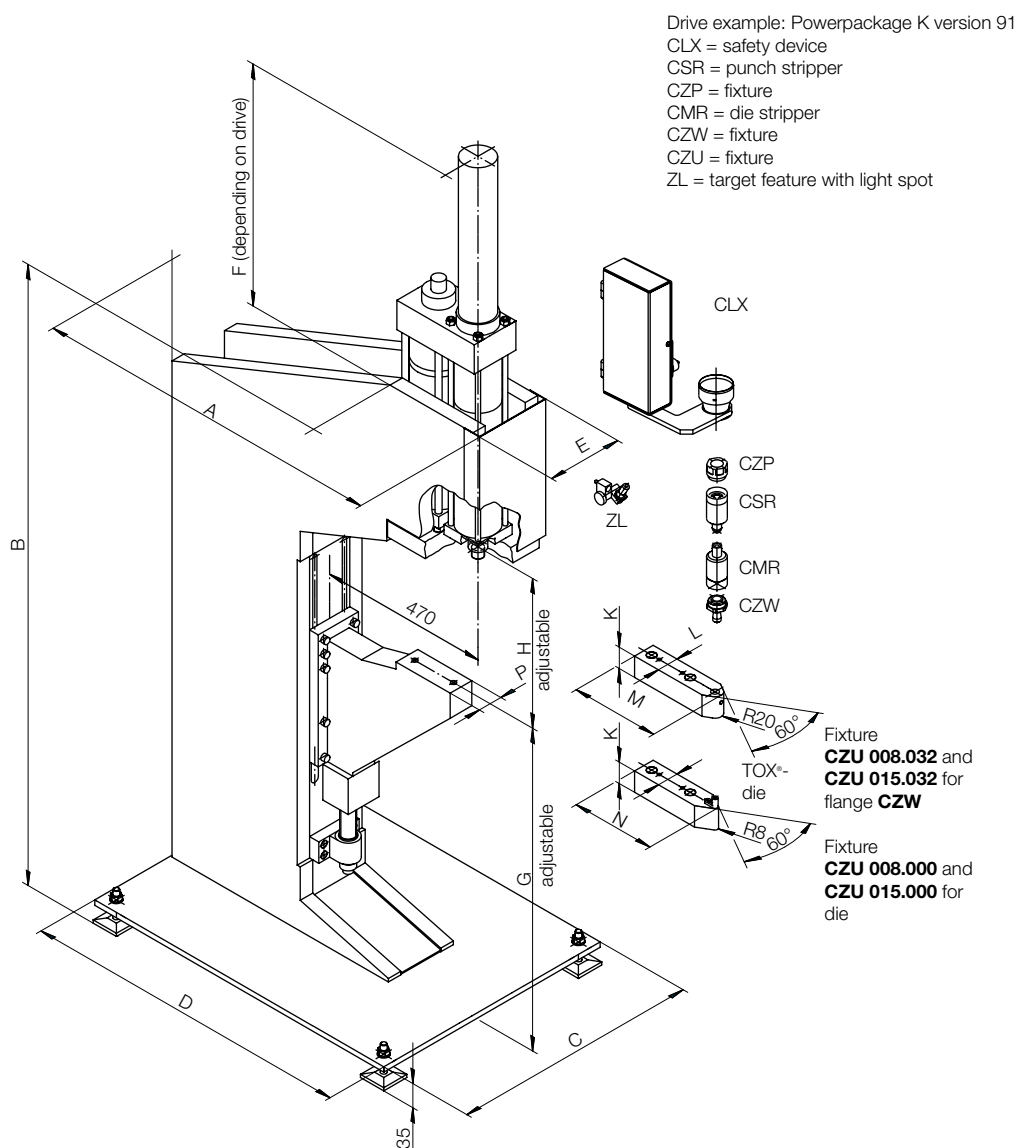
* valid for standard press layout. Real weight will differ.

Dimensions in mm

Special designs and dimensions available on request.

TOX®-C-Frame Press

Series CEU



TOX®-Presses CEU

Type	Max. loading capacity kN	TOX®-Powerpackage	Weight* kg
CEU 008.000	75	Q-S/Q-K/X-S/X-K 008	690
CEU 015.000	140	Q-S/Q-K/X-S/X-K 015	1400

* valid for standard press layout. Real weight will differ.

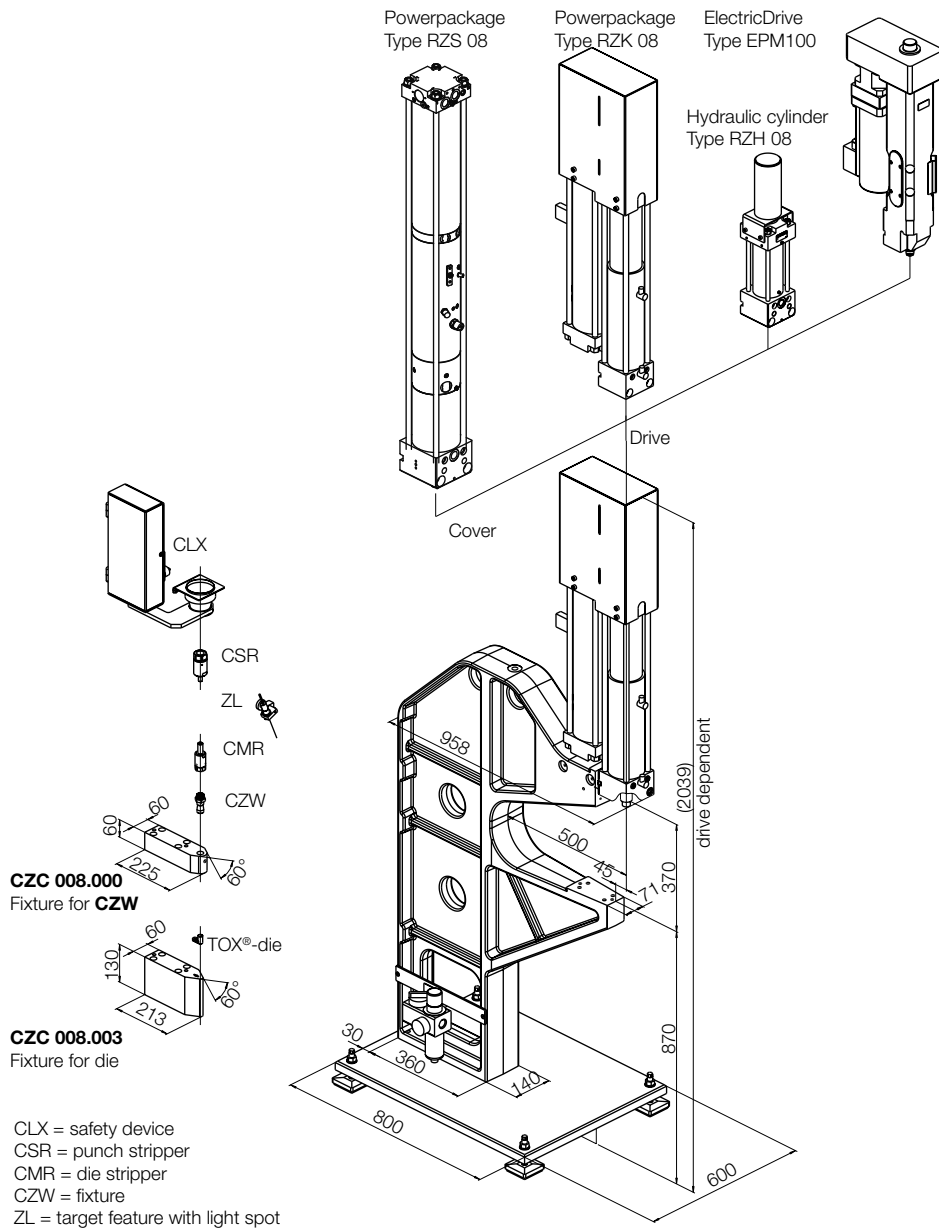
Type	A	B	C	D	E	F ca.	G min.	G max.	H min.	H max.	K	L	M	N	P
CEU 008.000	975	1710	700	935	210	678	790	1090	220	520	60	60	250	238	70
CEU 015.000	1125	1835	800	1045	280	905	800	1100	237	537	80	90	320	308	90

Special designs on request.

Dimensions in mm

TOX[®]-C-Frame Press

Series CEC

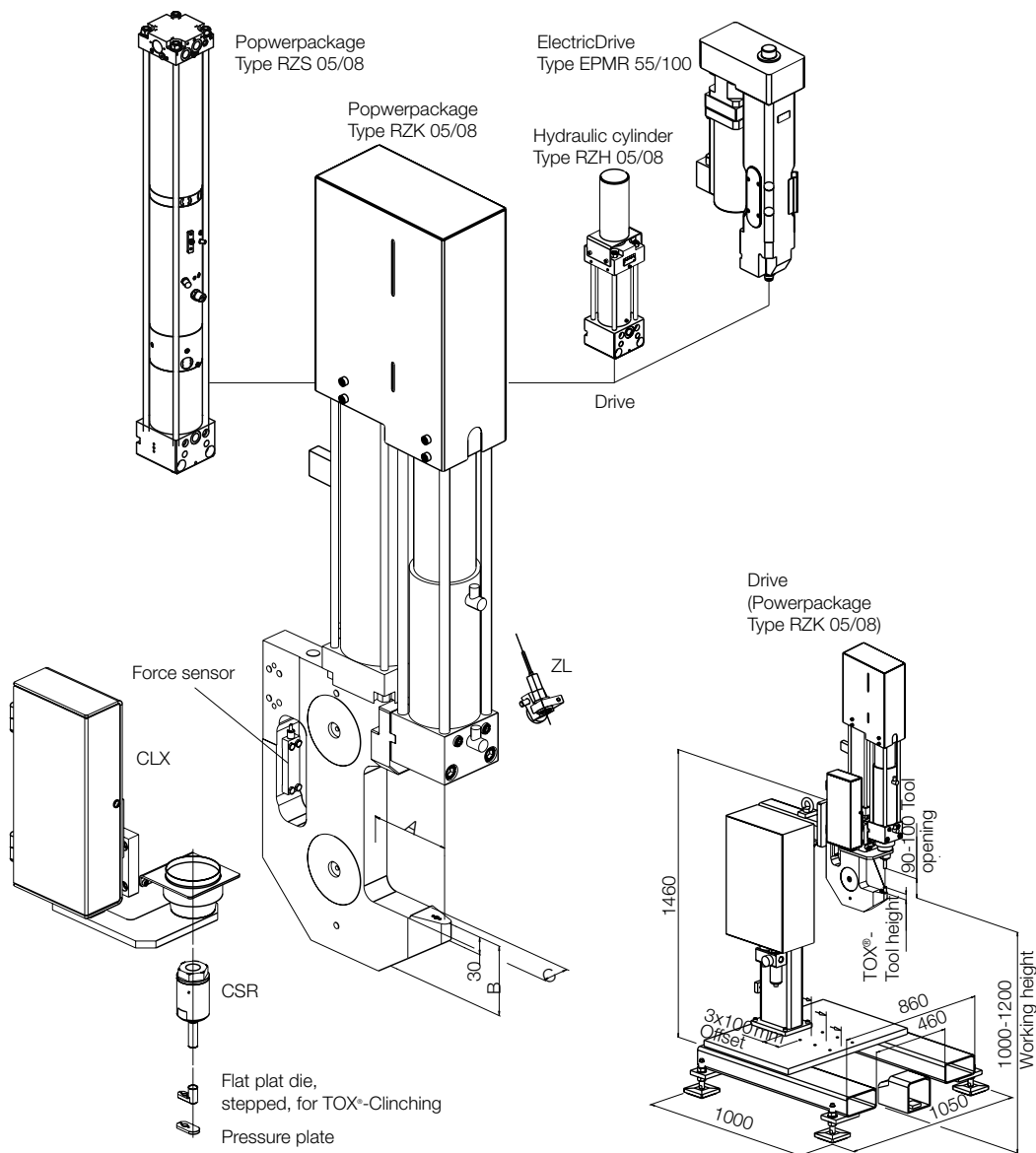


TOX[®]-Presse CEC

Type	Max. loading capacity kN	Weight kg
CEC 008.100	84	520

TOX®-C-Frame Press

Modular press programme series CEJ



C-frame type CEJ

- Flexible frame-cut steel parts
- Ideal for most different applications

Support CER

- Solid welded construction with large open space
- Best accessibility

TOX®-Presses CEJ 50

Type	Max. loading capacity kN	Stroke	A	B	C
CEJ 50.100	50	100	100	75	40
CEJ 50.150	50	100	150	115	40
CEJ 50.200	50	100	200	145	40

Weights on request.

Dimensions in mm

TOX®-Presses CEJ 80

Type	Max. loading capacity kN	Stroke	A	B	C
CEJ 80.100	80	100	100	85	50
CEJ 80.150	80	100	150	120	50
CEJ 80.200	80	100	200	165	50

Weights on request.

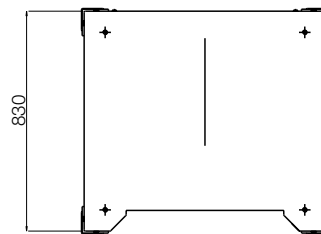
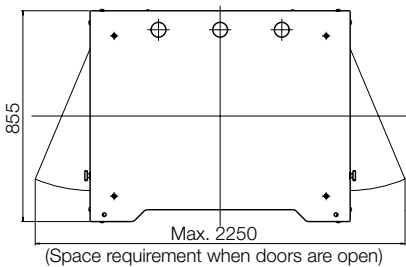
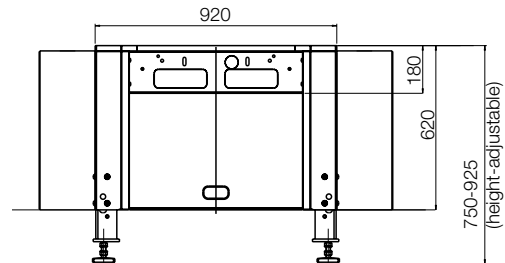
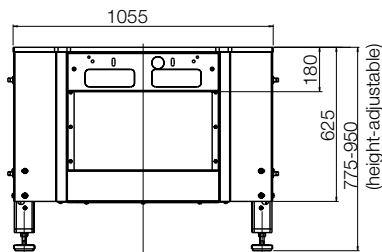
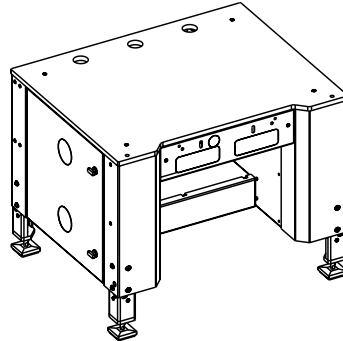
Dimensions in mm

TOX[®]-Universal Base Frame

Series UUM

TOX[®]-Universal Base Frame UUM

- Tailored to the modular press system
- Integrated control cabinet available
- Special welded design versions

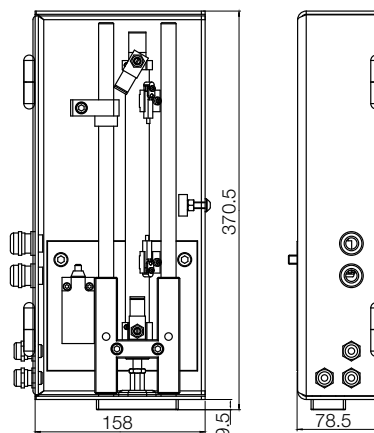
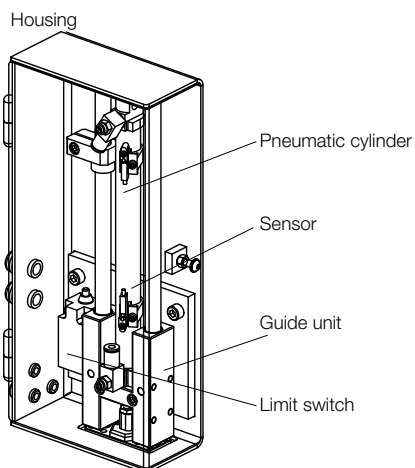


Technical data

	UUM 500.100	UUM 1-300.000
Table size:	1055 x 855 mm	920 x 830 mm
Table height:	775 – 950 mm adjustable	750 – 925 mm adjustable
Load capacity /total press weight:	max. 1000 kg	max. 500 kg
Weight:	250 kg	185 kg
Standard colour:	TOX [®] green	TOX [®] green
Controls:	<ul style="list-style-type: none"> ■ Accepts 2-hand control panels: STE 003; STE 325; STE 336 and pneumatic control panel STP 03. ■ Integrated switch cabinets at both sides (optional: side mounted) 	<ul style="list-style-type: none"> ■ Accepts all TOX[®]-Control Panels ■ Switch cabinets can be mounted on sides

TOX®-Press Safety

TOX®-Safety Device CLX

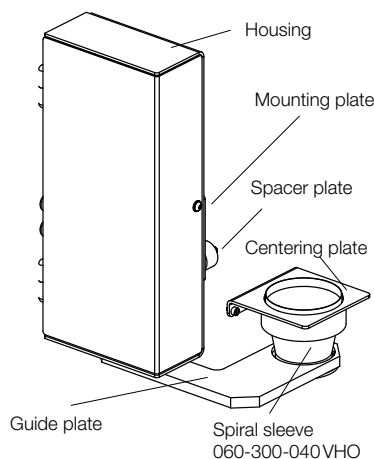


Function:

After actuating the start key, the pneumatic cylinder inside the housing extends forward. The guide plate advances towards the piecepart. The spiral sleeve rings provide protection around the tooling area. Once the guarding has reached its bottom position, the sensor sends a signal to the press drive via the limit switch. This initiates the working stroke without any risk to the operator.

Function:

- The TOX®-Safety Device CLX is a standard component of the foot pedal control STE317-... .
- It can also be used with 2-hand controls in place of safety guard enclosure.

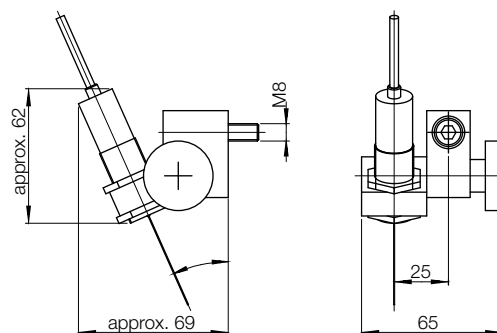


Note:

Mounting plate, spacer plate, centering plate and guide plate are dependent on the machine type.

TOX®-Target Feature with light spot ZL

Targeting device for e.g. precise positioning of TOX®-Clinch Points, by adjustable laser beam to the die centre.



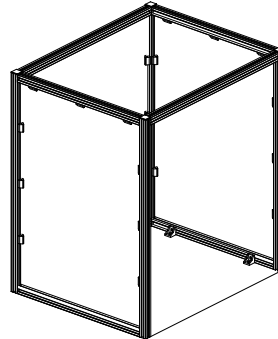
TOX[®]-Press Safety

TOX[®]-Safety Guard Enclosure SU

For the TOX[®]-Presses and base frames we offer appropriate three-sided guards. The standard execution comprises an aluminium frame with polycarbonate filling or perforated plate. It is possible to protect the loading side by light barriers or by a safety guard door.

Compatible with:

- TOX[®]-Presses
- TOX[®]-Universal Base Frames



When ordering as separate accessory, please state dimensions or add a drawing of the press or base frame.

TOX[®]-Restraint Device ZHE

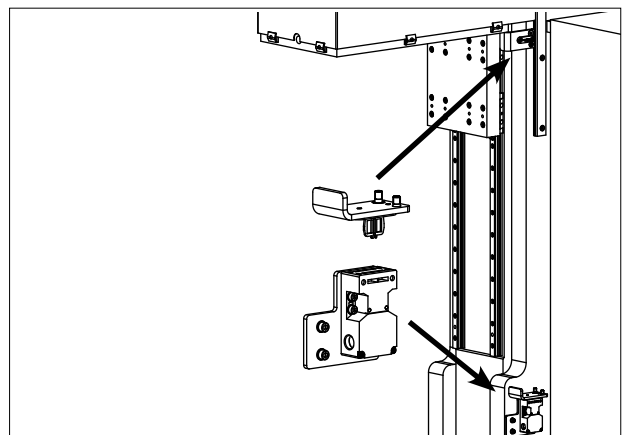
The TOX[®]-Restraint Device prevents the lowering of the ram with tool by its own weight during maintenance or repair work. A safety switch integrated in the emergency stop circuit fulfills the requirements of the press standards. Two design variants are offered:

Angle variant

The **angle variant ZHE000** is mounted to the side of the press frame. As it is located outside the tool area, the space requirement is not of the importance.

Compatible with:

- TOX[®]-Presses type MC, MCC and CMB



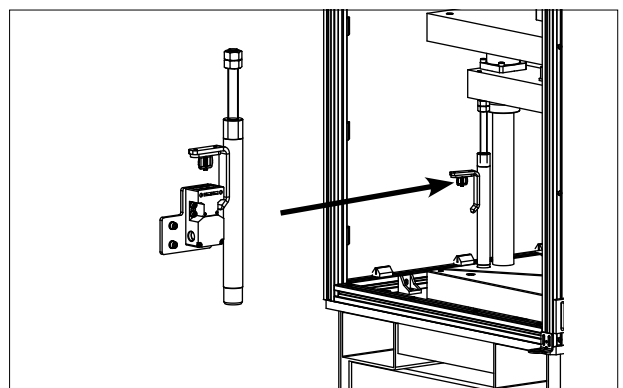
Rod variant

The **rod variant ZHE016/030** is mounted direct between base and ram plate. Its design depends on the moving mass to be supported and the clearance height. This must be taken into consideration for the dimensioning of the tool.

Compatible with:

- TOX[®]-Presses type PC, MB, MBG, MA and MAG

Both variants have their parking position outside the tool area.



Rod Ø depending on press size approx. 30 - 50 mm.